

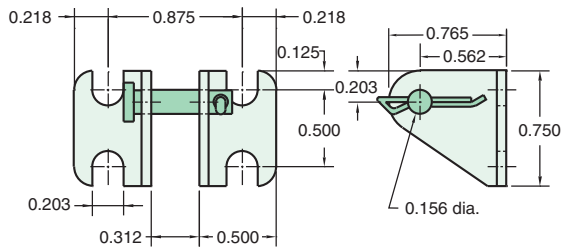


# 5/8" BORE ACCESSORIES



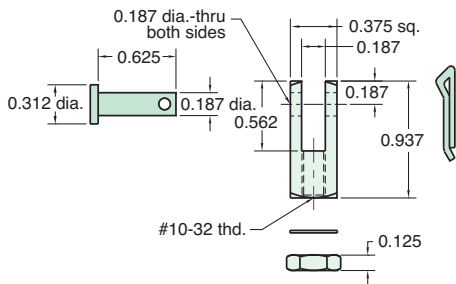
## CB-0895

Clevis Bracket  
Material: Steel, bright zinc plated



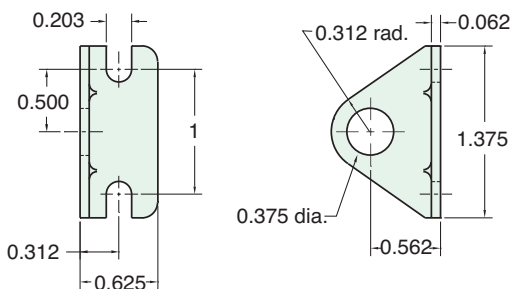
## RC-0881

Rod Clevis  
Material: Steel, electroless nickel plate



## FB-0891

Foot Bracket  
Material: Steel, bright zinc plated



## MOUNTING NUTS

### Stud Nut

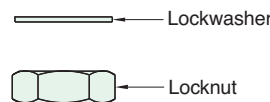
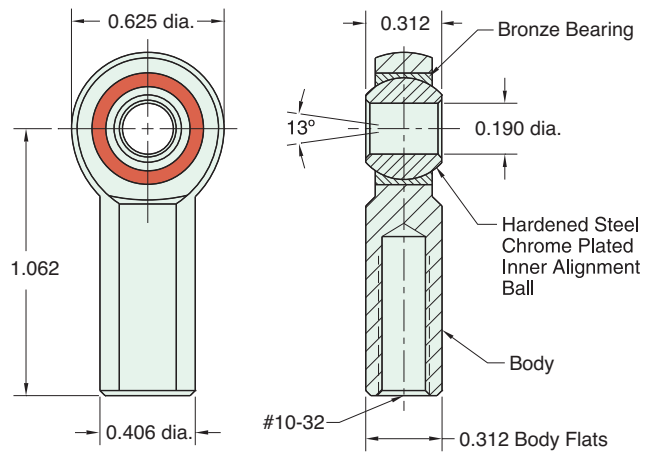
| Part Number    | Across Flats | Nut Thickness | Nut (Thread) |
|----------------|--------------|---------------|--------------|
| <b>N06-24A</b> | 9/16"        | 7/32"         | 3/8-24       |
| <b>N06-24B</b> | 1/2"         | 3/32"         | 3/8-24       |
| <b>N07-20</b>  | 11/16"       | 1/4"          | 7/16-20      |

### Rod Nut

| Part Number   | Across Flats | Nut Thickness | Nut (Thread) |
|---------------|--------------|---------------|--------------|
| <b>N03-32</b> | 3/8"         | 1/8"          | #10-32       |

## RE-0885

Rod End  
Material: Steel, bright zinc plated body



Max. Static Radial Load (rod end only): 1,624 lbs.  
Fits Rod Thread Size: #10-32

## FB-0892

Foot Bracket  
Material: Steel, bright zinc plated

